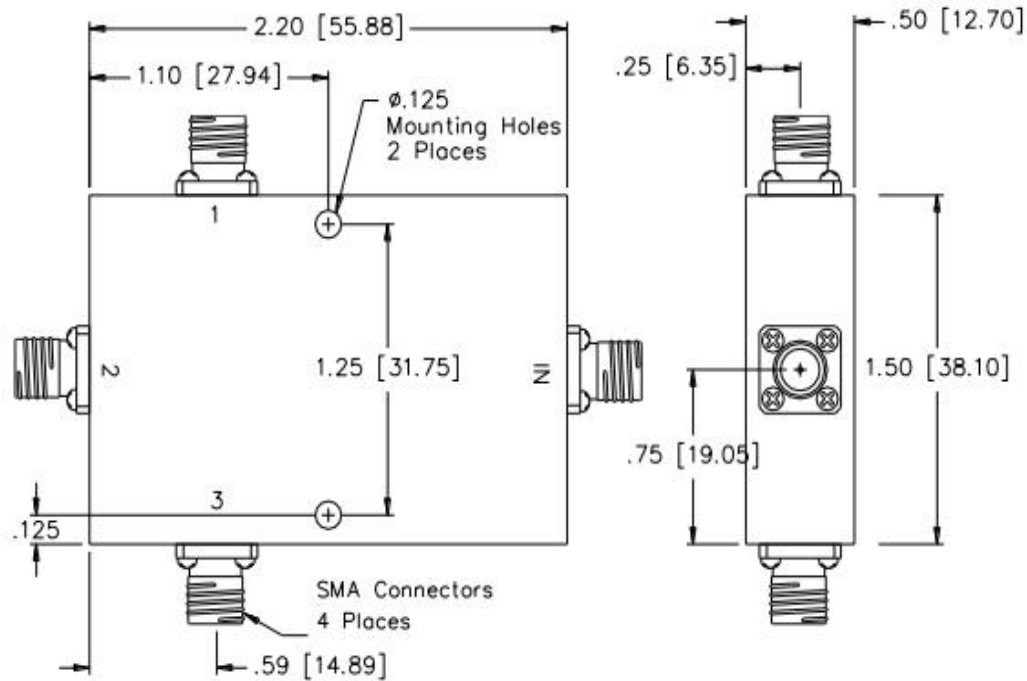


**PD-2G4G-03-S** is a 3 way power divider designed to operate over the 2-4GHz frequency range, with compact size. This model is designed to handle 30W max input power, and also performs with low insertion loss of 0.7dB max and high isolation of 17dB min, and low VSWR of 1.4max.

**Mechanical Outline(Inch/mm):**




**Specifications:**

Dividing into:	3 ways
Frequency:	2-4GHz
Insertion Loss:	0.7dB Max
Isolation:	17dB Min
Power Handling:	30W Max
VSWR:	1.4:1
Amplitude balance:	0.4dB Max
Phase balance:	8° Max
Connectors:	SMA Female

**Environmental Ratings:**

Temperature:	-25°C to +71 °C Operating
	-65 °C to +100 °C Non-Operating
Vibration:	MIL-STD-202F, Method 204D Cond. B
Altitude:	MIL-STD-202F, Method 105C Cond. B
Temperature Cycle:	MIL-STD-202F, Method 107D Cond. A

Power Divider PD-2G4G-03-S			
DRAWN:	DWG NO.:	REV CODE: Rev.1.0	 <a href="http://www.connphy.com">www.connphy.com</a> <a href="mailto:sales@connphy.com">sales@connphy.com</a>
CHECKRD:	DATE: 08/07/15	SHEET : 1 OF 1	
ISSUED:	SIZE: A	SCALE : N / A	
Notes: SPEC ARE SUBJECT TO CHANGE WITHOUT NOTICE.			